

CATEGORÍA:

MONTURAS

 Luszczyk

MONTURAS DE
MÁXIMA **CALIDAD**
HECHO EN **POLONIA**

	PÁG:
ANSCHÜTZ/1780	87, 91
ANTONIO ZOLI	87
BAIKAT IZ 18MH/IZ - EXPRESS COMBINATION GUN	88
BENELLI ARGO	88
BETTINSOLI	90
BLASER	89, 102
BRNO 502/802/CZ 584/ZH	87, 90
BROWNING A-BOLT/EUROBOLT	91
BROWNING BAR/BLR/ACERA	88
BROWNING X-BOLT SUPER SHORT/SHORT/LONG	91
CZ 527/550/CZ 555/CZ 557/ZKK 600	92, 102
FABARM IRIS/DUAL/ASPER	88, 95
FAIR	93
HAENEL JAEGER 10/SLB 2000	87, 93
HECKLER & KOCH	93
HEYM SR-21 /SR-30	87
HOWA 1500	87
KRIEGHOFF SEMPRIO	94
STEYR MANNLICHER CLASSIC S,M,L /SBS	91
MANNLICHER DUETT/LUXUX	93, 94, 95
MARLIN 1895	96
MAUSER 98/MAUSER M-12/BRNO 98/ZASTAVA	87
MERKEL KR-1/SR-1/SR-1 BASIC	93, 95
REMINGTON 700/7400/750/783	87, 91
ROESSLER TITAN 6/16	87, 91
RUGER M 77	96
SABATTI ROVER	87
SABATTI	93
SAKO 75/A7	96
SAUER 90,101,200,202,303,404	87, 91, 97, 102
SAVAGE 12	91
TIKKA T3/595/695/512	93, 97, 102
VERNEY CARRON IMPACT DIAMOND	87
VOERE LBW	98
WEATHERBY MARK V/300/VANGUARD	87
WINCHESTER 70 SHORT/LONG/VULCAN	87, 88



MONTURAS CON ANILLOS DE FIJACIÓN			
	Fija		
	25,4 mm 26 mm 30 mm 34 mm 35 mm 40 mm	h = 11/14/17/20 mm h = 11/14/17/20 mm h = 11/14/16/20 mm h = 14 mm h = 14 mm h = 13 mm	
	25,4 mm 26 mm 30 mm	h = 19 mm h = 19 mm h = 17 mm	
VISORES DE CARRIL: SWAROVSKI SR, ZEISS VM 45°, SCHMIDT-BENDER, 70° (MACIZO)			
			
MONTURA VISTA REFLEX			
	15 mm riel montura (base trasera para montaje giratoria) h = 6mm		15 mm riel montura (base trasera para montaje giratoria) Docter Sight II - Meopata - Delta - Burris h = 9 mm



ANTONIO ZOLI 1900 / HAENEL JAEGER 10 / HOWAM 1500 / HEYM SR-21/SR-30 / MAUSER 98 / MAUSER M-12 / BRNO 98 / ZASTAVA / REMINGTON 700 / SABATTI ROVER / ROESSLER TITAN 16 / SAUER 101 / SAUER 202 / VERNEY CARRON IMPACT DIAMOND / WEATHERBY MARK V / WEATHERBY VANGUARD / WINCHESTER 70 SHORT/LONG

MONTURAS CON ANILLOS DE FIJACIÓN			
	Fija		
	25,4 mm 26 mm 30 mm 34 mm 35 mm 40 mm	h = 15/18/21/24 mm h = 15/18/21/24 mm h = 15/17/20/24 mm h = 18 mm h = 18 mm h = 17 mm	
	25,4 mm 26 mm 30 mm 34 mm 35 mm 40 mm	h = 15/18/21/24 mm h = 15/18/21/24 mm h = 15/17/20/24 mm h = 18 mm h = 18 mm h = 17 mm	
VISORES DE CARRIL: SWAROVSKI SR, ZEISS VM 45°, SCHMIDT-BENDER, 70° (MACIZO)			
		Fija h = 13/15 mm	
			Giratorio h = 15/17 mm
MONTURA VISTA REFLEX			
	15 mm riel montura (base trasera para montaje giratoria) h = 6mm		15 mm riel montura (base trasera para montaje giratoria) Docter Sight II - Meopata - Delta - Burris h = 9 mm



BAIKAT IZ 18MH / IZ - EXPRESS COMBINATION GUN

MONTURAS CON ANILLOS DE FIJACIÓN				
	Fija			
	25,4 mm	h = 11,5/14,5/17,5/20,5 mm		25,4 mm
	26 mm	h = 11,5/14,5/17,5/20,5 mm	26 mm	h = 11,5/14,5/17,5/20,5 mm
	30 mm	h = 11,5/13,5/16,5/20,5 mm	30 mm	h = 11,5/13,5/16,5/20,5 mm
	34 mm	h = 14,5 mm	34 mm	h = 14,5 mm
	35 mm	h = 14,5 mm	35 mm	h = 14,5 mm
	40 mm	h = 13,5 mm	40 mm	h = 13,5 mm
VISORES DE CARRIL: SWAROVSKI SR, ZEISS VM 45°, SCHMIDT-BENDER, 70° (MACIZO)				
	Fija			
	h = 9,5/11,5 mm			Giratorio
		h = 9,5/11,5 mm		
MONTURA VISTA REFLEX				
	15 mm riel montura (base trasera para montaje giratoria)			
	h = 6 mm			15 mm riel montura (base trasera para montaje giratoria) Docter Sight II - Meopata - Delta - Burris
		h = 9 mm		
	Carril picatinny fijo			
	h = 14,5 mm			Carril picatinny desm. c/ mariposas
		h = 14,5 mm		



BROWNING BAR-BLR-ACERA / BENELLI ARGO / WINCHESTER VULCAN / FABARM IRIS

MONTURAS CON ANILLOS DE FIJACIÓN				
	Fija			
	25,4 mm	h = 15/18/21/24 mm		25,4 mm
	26 mm	h = 15/18/21/24 mm	26 mm	h = 19 mm
	30 mm	h = 15/17/20/24 mm	30 mm	h = 17 mm
	34 mm	h = 18 mm		
	35 mm	h = 18 mm		
	40 mm	h = 17 mm		
VISORES DE CARRIL: SWAROVSKI SR, ZEISS VM 45°, SCHMIDT-BENDER, 70° (MACIZO)				
	Fija			
	h = 13/15 mm			Giratorio
		h = 15/17 mm		
MONTURA VISTA REFLEX				
	15 mm riel montura (base trasera para montaje giratoria)			
	h = 6mm			15 mm riel montura (base trasera para montaje giratoria) Docter Sight II - Meopata - Delta - Burris
		h = 9 mm		



MONTURAS CON ANILLOS DE FIJACIÓN			
	Fija		
	25,4 mm 26 mm 30 mm 34 mm 35 mm 40 mm	h = 12/15/18/21 mm h = 12/15/18/21 mm h = 12/14/17/21 mm h = 15 mm h = 15 mm h = 14 mm	
25,4 mm 26 mm 30 mm 34 mm 35 mm 40 mm	h = 12/15/18/21 mm h = 12/15/18/21 mm h = 12/14/17/21 mm h = 15 mm h = 15 mm h = 14 mm	25,4 mm 26 mm 30 mm 34 mm 35 mm 40 mm	h = 12/15/18/21 mm h = 12/15/18/21 mm h = 12/14/17/21 mm h = 15 mm h = 15 mm h = 14 mm
VISORES DE CARRIL: SWAROVSKI SR, ZEISS VM 45°, SCHMIDT-BENDER, 70° (MACIZO)			
	Fija h = 9/12 mm		Giratorio h = 9/12 mm
MONTURA CON RIEL PICATINNY			
	Fija h = 14 mm		Mariposa h = 14 mm
MONTURA VISTA REFLEX			
	Fija Docter Sight II - Meopata - Delta - Burriss h = 3 mm		Mariposa Docter Sight II - Meopata - Delta - Burriss h = 3 mm



BLASER QUICK RELEASE

MONTURAS CON ANILLOS DE FIJACIÓN			
	L- 135 mm	Quick Release Mounting	
		25,4 mm 26 mm 30 mm 34 mm 35 mm 40 mm	h = 12/15/18/21 mm h = 12/15/18/21 mm h = 12/14/17/21 mm h = 15 mm h = 15 mm h = 14 mm
VISORES DE CARRIL: SWAROVSKI SR, ZEISS VM 45°, SCHMIDT-BENDER, 70° (MACIZO)			
	h = 10 mm h = 11,5 mm L - 135 MM		H = 14,5 mm L - 152 mm
MONTURA CON RIEL PICATINNY			
	h = 14,5 mm L - 152 mm		



BRNO / 502 / 802 / CZ-584 / ZH

MONTURAS CON ANILLOS DE FIJACIÓN

	Fija			Giratorio	
	25,4 mm	h = 11,5/14,5/17,5/20,5 mm		25,4 mm	h = 11,5/14,5/17,5/20,5 mm
26 mm	h = 11,5/14,5/17,5/20,5 mm	26 mm	h = 11,5/14,5/17,5/20,5 mm		
30 mm	h = 11,5/13,5/16,5/20,5 mm	30 mm	h = 11,5/13,5/16,5/20,5 mm		
34 mm	h = 14,5 mm	34 mm	h = 14,5 mm		
35 mm	h = 14,5 mm	35 mm	h = 14,5 mm		
40 mm	h = 13,5 mm	40 mm	h = 13,5 mm		

VISORES DE CARRIL: SWAROVSKI SR, ZEISS VM 45°, SCHMIDT-BENDER, 70° (MACIZO)

	Fija h = 9,5/11,5 mm		Giratorio h = 9,5/11,5 mm

MONTURA VISTA REFLEX

	15 mm riel montura (base trasera para montaje giratoria) h = 6 mm		15 mm riel montura (base trasera para montaje giratoria) Docter Sight II - Meopata - Delta - Burris h = 9 mm



BETTINSOLI - EXPRESS COMBINATION GUN

MONTURAS CON ANILLOS DE FIJACIÓN

	Fija			Giratorio	
	25,4 mm	h = 12/15/18/21 mm		25,4 mm	h = 12/15/18/21 mm
26 mm	h = 12/15/18/21 mm	26 mm	h = 12/15/18/21 mm		
30 mm	h = 12/14/17/21 mm	30 mm	h = 12/14/17/21 mm		
34 mm	h = 15 mm	34 mm	h = 15 mm		
35 mm	h = 15 mm	35 mm	h = 15 mm		
40 mm	h = 14 mm	40 mm	h = 14 mm		

VISORES DE CARRIL: SWAROVSKI SR, ZEISS VM 45°, SCHMIDT-BENDER, 70° (MACIZO)

	Fija h = 9/12 mm		Mariposa h = 9/12 mm

MONTURA VISTA REFLEX

	15 mm riel montura (base trasera para montaje giratoria) h = 6 mm		15 mm riel montura (base trasera para montaje giratoria) Docter Sight II - Meopata - Delta - Burris h = 9 mm



ANSCHÜTZ / BROWNING A-BOLT / EURO BOLT / REMINGTON 7400-750 / ROESSLER TITAN 6 / SAUER 90 / SAUER 200 / SAVAGE 12 / STEYER MANNLICHER CLASSIC S,M,L-SBS

MONTURAS CON ANILLOS DE FIJACIÓN			
	Fija		
	25,4 mm 26 mm 30 mm 34 mm 35 mm 40 mm	h = 15/18/21/24 mm h = 15/18/21/24 mm h = 15/17/20/24 mm h = 18 mm h = 18 mm h = 17 mm	
	25,4 mm 26 mm 30 mm	h = 19mm h = 19mm h = 17mm	
VISORES DE CARRIL: SWAROVSKI SR, ZEISS VM 45°, SCHMIDT-BENDER, 70° (MACIZO)			
	Fija h = 13/15 mm		
			Giratorio h = 17 mm
MONTURA VISTA REFLEX			
	15 mm riel montura (base trasera para montaje giratoria) h = 6mm		
			15 mm riel montura (base trasera para montaje giratoria) Docter Sight II - Meopata - Delta - Burris h = 9 mm



BROWNING X-BOLT SUPER SHORT-SHORT.LONG

MONTURAS CON ANILLOS DE FIJACIÓN			
	Fija		
	25,4 mm 26 mm 30 mm 34 mm 35 mm 40 mm	h = 11/14/17/20 mm h = 11/14/17/20 mm h = 11/13/16/20 mm h = 14 mm h = 14 mm h = 13 mm	
	25,4 mm 26 mm 30 mm	h = 19mm h = 19mm h = 17mm	
VISORES DE CARRIL: SWAROVSKI SR, ZEISS VM 45°, SCHMIDT-BENDER, 70° (MACIZO)		MONTURA VISTA REFLEX	
	Giratorio h = 15 mm		
			15 mm riel montura (base trasera para montaje giratoria) Docter Sight II - Meopata - Delta - Burris h = 9 mm
RIEL PICATINNY DE FIJACIÓN		RIEL PICATINNY DE FIJACIÓN Y MARIPOSA	
	Fija		
	25,4 mm 26 mm 30 mm 34 mm 35 mm 40 mm	h = 14,5/17,5/20,5/23,5 mm h = 14,5/17,5/20,5/23,5 mm h = 14,5/16,5/18,5/22,5 mm h = 17,5 mm h = 17,5 mm h = 16,5 mm	
	25,4 mm 26 mm 30 mm	h = 15,5mm h = 15,5mm h = 13,5 / 18,5mm	

MONTURAS CON ANILLOS DE FIJACIÓN

	Fija			Giratorio	
	25,4 mm 26 mm 30 mm 34 mm 35 mm 40 mm	h = 11/14/17/20 mm h = 11/14/17/20 mm h = 11/13/16/20 mm h = 14 mm h = 14 mm h = 13 mm		25,4 mm 26 mm 30 mm	h = 19mm h = 19mm h = 17mm
	Tiltable			Tiltable con mariposa	
	25,4 mm 26 mm 30 mm 34 mm 35 mm 40 mm	h = 11/14/17/20 mm h = 11/14/17/20 mm h = 11/13/16/20 mm h = 14 mm h = 14 mm h = 13 mm		25,4 mm 26 mm 30 mm 34 mm 35 mm 40 mm	h = 11/14/17/20 mm h = 11/14/17/20 mm h = 11/13/16/20 mm h = 14 mm h = 14 mm h = 13 mm

VISORES DE CARRIL: SWAROVSKI SR, ZEISS VM 45°, SCHMIDT-BENDER, 70° (MACIZO)

Fija h = 10/12 mm	Tiltable h = 10/12 mm	Tiltable con mariposa h = 10/12 mm

MONTURAS CON ANILLOS DE FIJACIÓN

	Fija			Giratorio	
	25,4 mm 26 mm 30 mm 34 mm 35 mm 40 mm	h = 11/14/17/20 mm h = 11/14/17/20 mm h = 11/13/16/20 mm h = 14 mm h = 14 mm h = 13 mm		25,4 mm 26 mm 30 mm	h = 19mm h = 19mm h = 17mm
	Tiltable			Tiltable con mariposa	
	25,4 mm 26 mm 30 mm 34 mm 35 mm 40 mm	h = 11/14/17/20 mm h = 11/14/17/20 mm h = 11/13/16/20 mm h = 14 mm h = 14 mm h = 13 mm		25,4 mm 26 mm 30 mm 34 mm 35 mm 40 mm	h = 11/14/17/20 mm h = 11/14/17/20 mm h = 11/13/16/20 mm h = 14 mm h = 14 mm h = 13 mm

VISORES DE CARRIL: SWAROVSKI SR, ZEISS VM 45°, SCHMIDT-BENDER, 70° (MACIZO)

	Fija h = 9/11 mm		Giratorio h = 15 mm
	Tiltable h = 9/11 mm		Tiltable con mariposa h = 11 mm

RIEL PICATINNY DE FIJACIÓN

	Fija h = 14 mm		Mariposa h = 14 mm
--	-------------------	--	-----------------------



FAIR COMBINATION GUN / HAENEL / MANNLICHER DUETT / SABATTI / TIKKA 512

MONTURAS CON ANILLOS DE FIJACIÓN			
	Fija		
	25,4 mm h= 11,5/14,5/17,5/20,5 mm 26 mm h= 15/18/21/24 mm 30 mm h= 15/17/20/24 mm		
VISORES DE CARRIL: SWAROVSKI SR, ZEISS VM 45°, SCHMIDT-BENDER, 70° (MACIZO)			
	Fija h = 9/12 mm		
MONTURA CON RIEL PICATINNY			
	Fija h = 14 mm		
MONTURA VISTA REFLEX			
	11-12 mm MONTURA RIEL h = 6mm		
11-12 mm MONTURA RIEL. Docter Sight II - Meopata - Delta - Burris h = 9 mm			



HECKLER & KOCH / HAENEL SLB 2000+ / MERKEL SR-1 / MERKEL SR-1 BASIC

MONTURAS CON ANILLOS DE FIJACIÓN			
	Fija		
	25,4 mm 26 mm 30 mm 34 mm 35 mm 40 mm	h = 15/18/21/24 mm h = 15/18/21/24 mm h = 15/17/20/24 mm h = 18 mm h = 18 mm h = 17 mm	
VISORES DE CARRIL: SWAROVSKI SR, ZEISS VM 45°, SCHMIDT-BENDER, 70° (MACIZO)			
	Fijo h = 14/16 mm		
MONTURA VISTA REFLEX			
	11-12 mm MONTURA RIEL h = 6mm		
11-12 mm MONTURA RIEL. Docter Sight II - Meopata - Delta - Burris h = 9 mm			



MONTURAS CON ANILLOS DE FIJACIÓN					
	Fija			Giratorio	
	25,4 mm 26 mm 30 mm 34 mm 35 mm 40 mm	h = 15/18/21/24 mm h = 15/18/21/24 mm h = 15/17/20/24 mm h = 18 mm h = 18 mm h = 17 mm		25,4 mm 26 mm 30 mm	h = 19 mm h = 19 mm h = 17 mm
VISORES DE CARRIL: SWAROVSKI SR, ZEISS VM 45°, SCHMIDT-BENDER, 70° (MACIZO)					
	Fija h = 14/16 mm			Giratorio h = 17 mm	
MONTURA VISTA REFLEX					
	15 mm riel montura (base trasera para montaje giratoria) h = 6 mm			15 mm riel montura (base trasera para montaje giratoria) Docter Sight II - Meopata - Delta - Burris h = 9 mm	



MONTURAS CON ANILLOS DE FIJACIÓN		CARRIL: SWAROVSKI SR, ZEISS VM 45°, SCHMIDT-BENDER, 70° (MACIZO)		
	Giratorio			Giratorio
	25,4 mm 26 mm 30 mm	h = 14mm h = 14mm h = 12mm		h = 12mm
MONTURA VISTA REFLEX				
	15 mm riel montura (base trasera para montaje giratoria) h = 6 mm			15 mm riel montura (base trasera para montaje giratoria) Docter Sight II - Meopata - Delta - Burris h = 9 mm
			Montura con mariposa para Riel Swarovski SR h = 10/12	



MANNLICHER MOD.M (LUCZNIK)

MONTURAS CON ANILLOS DE FIJACIÓN				
	Fija			
	25,4 mm 26 mm 30 mm 34 mm 35 mm 40 mm	h = 15/18/21/24 mm h = 15/18/21/24 mm h = 15/17/20/24 mm h = 18 mm h = 18 mm h = 17 mm		25,4 mm 26 mm 30 mm
VISORES DE CARRIL: SWAROVSKI SR, ZEISS VM 45°, SCHMIDT-BENDER, 70° (MACIZO)				
	Fija h = 14/16 mm			Giratorio h = 17 mm
MONTURA VISTA REFLEX				
	15 mm riel montura (base trasera para montaje giratoria) h = 6 mm			15 mm riel montura (base trasera para montaje giratoria) Docter Sight II - Meopata - Delta - Burris h = 9 mm



MERKEL KR-1 / FABARM DUAL - ASPER

MONTURAS CON ANILLOS DE FIJACIÓN				
	Fija			
	25,4 mm 26 mm 30 mm 34 mm 35 mm 40 mm	h = 10/13/16/19 mm h = 10/13/16/19 mm h = 10/12/15/19 mm h = 13 mm h = 13 mm h = 12 mm		25,4 mm 26 mm 30 mm 34 mm 35 mm 40 mm
VISORES DE CARRIL: SWAROVSKI SR, ZEISS VM 45°, SCHMIDT-BENDER, 70° (MACIZO)				
	Fija h = 9/11 mm			Mariposas h = 9/11 mm
MONTURA VISTA REFLEX				
	Fija h = 7 mm			Mariposas h = 7 mm
	Fija h = 4 mm			Mariposas h = 4 mm



MONTURAS CON ANILLOS DE FIJACIÓN					
		Fija			
		25,4 mm	h = 15/18/21/24 mm		
26 mm	h = 15/18/21/24 mm	26 mm	h = 19mm		
30 mm	h = 15/17/20/24 mm	30 mm	h = 17mm		
34 mm	h = 18 mm				
35 mm	h = 18 mm				
40 mm	h = 17 mm				



MONTURAS CON ANILLOS DE FIJACIÓN			
	h = 6		
		25,4 mm	h = 9,5/12,5/15,5/18,5 mm
		26 mm	h = 9,5/12,5/15,5/18,5 mm
		30 mm	h = 9,5/11,5/14,5/18,5 mm
		34 mm	h = 12,5 mm
		35 mm	h = 12,5 mm
		40 mm	h = 11,5 mm





MONTURAS CON ANILLOS DE FIJACIÓN					
		Fija			
		25,4 mm	h = 11/14/17/20 mm		
26 mm	h = 11/14/17/20 mm	26 mm	h = 19mm		
30 mm	h = 11/13/16/20 mm	30 mm	h = 17mm		
34 mm	h = 14 mm				
35 mm	h = 14 mm				
40 mm	h = 13 mm				

VISORES DE CARRIL: SWAROVSKI SR, ZEISS VM 45°, SCHMIDT-BENDER, 70° (MACIZO)

	Fijo h = 10/12 mm		Giratorio h = 17 mm
---	----------------------	--	------------------------

MONTURA VISTA REFLEX

	15 mm riel montura (base trasera para montaje giratoria) h = 6 mm		15 mm riel montura (base trasera para montaje giratoria) Docter Sight II - Meopata - Delta - Burris h = 9 mm
---	--	--	--


MONTURAS CON ANILLOS DE FIJACIÓN

	Fija			Giratorio	
	25,4 mm 26 mm 30 mm 34 mm 35 mm 40 mm	h = 11/14/17/20 mm h = 11/14/17/20 mm h = 11/13/16/20 mm h = 14 mm h = 14 mm h = 13 mm		25,4 mm 26 mm 30 mm 34 mm 35 mm 40 mm	h = 11/14/17/20 mm h = 11/14/17/20 mm h = 11/13/16/20 mm h = 14 mm h = 14 mm h = 13 mm

VISORES DE CARRIL: SWAROVSKI SR, ZEISS VM 45°, SCHMIDT-BENDER, 70° (MACIZO)

	Fijo h = 9/11 mm		Mariposas h = 9/11 mm
---	---------------------	--	--------------------------

MONTURA VISTA REFLEX

	15 mm riel montura (base trasera para montaje giratoria) Docter Sight II - Meopata - Delta - Burris h = 9 mm
---	---



MONTURAS CON ANILLOS DE FIJACIÓN

		
Fija	Mariposas	Giratorio
25,4 mm h = 11/14/17/20 mm 26 mm h = 11/14/17/20 mm 30 mm h = 11/13/16/20 mm 34 mm h = 14 mm 35 mm h = 14 mm 40 mm h = 13 mm	25,4 mm h = 11/14/17/20 mm 26 mm h = 11/14/17/20 mm 30 mm h = 11/13/16/20 mm 34 mm h = 14 mm 35 mm h = 14 mm 40 mm h = 13 mm	25,4 mm h = 19 mm 26 mm h = 19 mm 30 mm h = 17 mm

VISORES DE CARRIL: SWAROVSKI SR, ZEISS VM 45°, SCHMIDT-BENDER, 70° (MACIZO)

		
Fija h = 10/12 mm	Tilttable Mariposas h = 10/12 mm	Giratorio h = 10/12 mm

MONTURA VISTA REFLEX

	17 mm riel montura h = 6 mm		17 mm riel montura Docter Sight II - Meopata - Delta - Burris h = 9 mm
---	--------------------------------	--	---




MONTURAS CON ANILLOS DE FIJACIÓN			
	Fija		
	25,4 mm 26 mm 30 mm 34 mm 35 mm 40 mm	h = 15/18/21/24 mm h = 15/18/21/24 mm h = 15/17/20/24 mm h = 18 mm h = 18 mm h = 17 mm	
25,4 mm 26 mm 30 mm			h = 19mm h = 19mm h = 17mm
VISORES DE CARRIL: SWAROVSKI SR, ZEISS VM 45°, SCHMIDT-BENDER, 70° (MACIZO)			
	Fijo h = 14/16 mm		Giratorio h = 17 mm
MONTURA VISTA REFLEX			
	15 mm riel montura (base trasera para montaje giratoria) h = 6 mm		15 mm riel montura (base trasera para montaje giratoria) Docter Sight II - Meopata - Delta - Burris h = 9 mm






RIEL PICATINNY & BASE WEAVER

MONTURAS CON ANILLOS DE FIJACIÓN			
<p>Anschütz 1780 Antonio Zoli Benelli Argo Browning A-Bolt / Eurobolt Browning Bar / BLR / Acera Fabarm Iris Haenel Jaeger 10 Haenel SLB-2000 Heckler & Koch SLB-2000 Heym SR-21 / SR-30 Howa 1500 Krieghoff Semprio Mauser 98 Mauser M12 Merkel SR-1 Merkel SR-1 Basic Remington 700 SHORT Remington 700 LONG Remington 750</p>	<p>Remington 7400 Roessler Titan 6 Sabatti Rover Sako A7 Sauer 90 Sauer 101 Sauer 200 Sauer 202 Savage 12 Steyr Mannlicher Classic L/SBS Steyr Mannlicher Classic M/SBS Steyr Mannlicher Classic S/SBS Verney Carron Impact Diamond Voere LBW Weatherby Mark V Weatherby Vanguard Winchester 70 Winchester Vulcan</p>		h = 6mm h = 7mm

MONTURAS CON ANILLOS DE FIJACIÓN

	25,4 mm 26 mm 30 mm 34 mm 35 mm 40 mm	h = 12/15/18/21 mm h = 12/15/18/21 mm h = 11/12/14/17/21 mm h = 15 mm h = 15 mm h = 14 mm
---	--	--

VISORES DE CARRIL: SWAROVSKI SR, ZEISS VM 45°, SCHMIDT-BENDER, 70° (MACIZO)



		
h = 10,5 mm h = 12,5 mm	h = 11 mm	h = 10,5 mm h = 12,5 mm h = 15,5 mm



TIKKA T-3 / 595 / 695

MONTURAS CON ANILLOS DE FIJACIÓN

VISORES DE CARRIL: SWAROVSKI SR, ZEISS VM 45°, SCHMIDT-BENDER, 70° (MACIZO)

	25,4 mm 26 mm 30 mm 34 mm 35 mm 40 mm	h = 8/11/14/17 mm h = 8/11/14/17 mm h = 8/10/13/17 mm h = 11 mm h = 11 mm h = 10 mm		h = 7 mm h = 9 mm
---	--	--	---	----------------------



18 MM RAIL MOUNTAIN

	h= 4mm	Riel 18 mm	MONTURAS CON ANILLOS DE FIJACIÓN	
			25,4 mm 26 mm 30 mm 34 mm 35 mm 40 mm	h = 8/11/14/17 mm h = 8/11/14/17 mm h = 8/10/13/17 mm h = 11 mm h = 11 mm h = 10 mm
Anschütz 1780 Antonio Zoli Benelli Argo Browning A-Bolt / Eurobolt Browning Bar / BLR / Acera Fabarm Iris Haenel Jaeger 10 Haenel SLB-2000 Heckler & Koch SLB-2000	Heym SR-21 / SR-30 Howa 1500 Krieghoff Semprio Mauser 98 Mauser M12 Merkel SR-1 Merkel SR-1 Basic Remington 700 SHORT Remington 700 LONG	Remington 750 Remington 7400 Roessler Titan 6 Sabatti Rover Sako A7 Sauer 90 Sauer 101 Sauer 200 Sauer 202	Savage 12 Steyr Mannlicher Classic L/SBS Steyr Mannlicher Classic M/SBS Steyr Mannlicher Classic S/SBS Verney Carron Impact Diamond Voere LBW Weatherby Mark V Weatherby Vanguard Winchester 70	

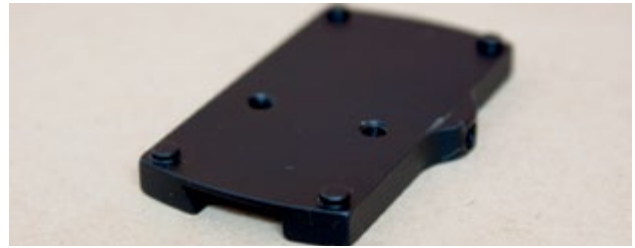
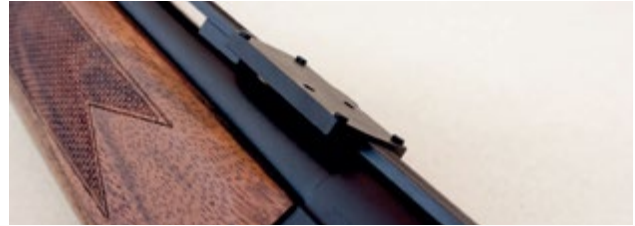


6-14MM MONTURA VENTILATED RAIL

H = 1 MM



MONTURA VISTA REFLEX PARA VENTILATED RAIL 6/7/8/10/12/14 MM



	DE FIJACIÓN ESTÁNDAR			SWAROVSKI SR ADAPTADOR RIEL		WEAVER / PICATINNY	
	25,4 mm 26 mm 30 mm	h = 8/11/14/17 mm h = 8/11/14/17 mm h = 8/10/13/17 mm		h = 3 mm		25,4 mm 26 mm 30 mm 25,4 mm 26 mm 30 mm	h = 8/11/14/17 mm h = 8/11/14/17 mm h = 8/10/13/17 mm h = 8/11/14/17 mm h = 8/11/14/17 mm h = 8/10/13/17 mm
	DE FIJACIÓN ESPECIALES			SWAROVSKI SR ADAPTADOR RIEL		11/12/14 mm Adaptador para PICATINNY h = 4,5 mm	
	25,4 mm 26 mm 30 mm	h = 8/11/14/17 mm h = 8/11/14/17 mm h = 8/10/13/17 mm		h = 3 mm ZEISS VM 45° ADAPTADOR RIEL h = 2 / 4 mm			
	DE FIJACIÓN PARA GIRATORIOS			ZEISS VM 45° ADAPTADOR RIEL (CON EXTENSIÓN)		WEAVER / PICATINNY h = 6,5 mm	
	25,4 mm 26 mm 30 mm	h = 8/11/14/17 mm h = 8/11/14/17 mm h = 8/10/13/17 mm		ZEISS VM 45° ADAPTADOR LARGO RIEL h = 4 mm			WEAVER / PICATINNY 25,4 mm 26 mm 30 mm 25,4 mm 26 mm 30 mm
	DE FIJACIÓN PARA LENTES			SCHMIDT-BENDER ADAPTADOR RIEL			RIEL PICATINNY
	25,4 mm 26 mm 30 mm	h = 8/11/14/17 mm h = 8/11/14/17 mm h = 8/10/13/17 mm h = 8/11/14/17 mm h = 8/11/14/17 mm h = 8/10/13/17 mm		h = 2,5 mm h = 3 mm		25,4 mm 26 mm 30 mm 34 mm 35 mm 40 mm	h = 15,5/18,5/21,5/24,5 mm h = 15,5/18,5/21,5/24,5 mm h = 15,5/17,5/20,5/24,5 mm h = 18,5 mm h = 18,5 mm h = 17,5 mm
	DE FIJACIÓN PARA LENTES			70° ADAPTADOR RIEL		EXTENSIÓN PARA ANILLOS DE FIJACIÓN ESTÁNDAR h = 4 mm	
		h = 8/11/14/17 mm h = 8/11/14/17 mm h = 8/11/14/17 mm h = 8/10/13/17 mm h = 8/11/14/17 mm h = 8/11/14/17 mm h = 8/10/13/17 mm		h = 2/4/7 mm			

	EXTENSIÓN DIRECTA		EXTENSIÓN 28 MM LONGITUD
	EXTENSIÓN 45 MM LONGITUD		EXTENSIÓN 55 MM LONGITUD
	BASE PARA TRIPLE SOLDADURA		BASE PARA ESCOPETA DE BARRIL
	MONTURA PLATO GIRATORIO		
	SEGURO CON TORNILLO HEX RIEL 15MM		SEGURO Riel 11 mm h= 9,5 mm (Heym SR-21) Riel 12 mm h = 9 mm (Bettinsoli, Sabatti) Riel 15 mm h = 9 mm (universal) Riel 17 mm h = 9 mm (Tikka, CZ-527) Riel 19 mm h = 9 mm (CZ-550)
	PLATOS RECTANGULARES REDUCIDOS 15 x 12 mm h = 4 mm 15 x 12 mm h = 8 mm 15 x 12 mm h = 12 mm		PLATOS CIRCULARES REDUCIDOS h= 0,5 / 1 / 1,5 / 2 / 2,5 / 3 / 3,5 / 4 / 4,5 / 5 / 5,5 / 6 / 6,5 / 7 / 7,5 / 8 / 8,5 / 9 / 9,5 / 10 mm
	PLATOS REDONDOS REDUCIDOS h = 0,1 / 0,2 mm		PLATOS RECTANGULARES REDUCIDOS h = 0,1 / 0,2 mm
	BASE FRONTAL PARA MONTURA GIRATORIA h = 5 mm		BASE FRONTAL PARA MONTURA GIRATORIA h = 4 mm
	MONTURA VISTA REFLEX PARA BASE QR DOCTER SIGHT II - MEOPATA - DELTA - BURRIS		
	11 / 12 MM MONTURA RIEL VISTA REFLEX DOCTER SIGHT II - MEOPATA - DELTA - BURRIS h = 9 mm		PICATINNY MONTURA RIEL VISTA REFLEX DOCTER SIGHT II - MEOPATA - DELTA - BURRIS h = 5 mm
	1/12/14/15/17/19 MM MONTURA RIEL VISTA REFLEX DOCTER SIGHT II - MEOPATA - DELTA - BURRIS h = 9 mm		
PARTES			
	RIEL WEAVER / PICATINNY ADAPTADOR PARA SWAROVSKI SR h = 9,5 mm		RIEL WEAVER / PICATINNY ADAPTADOR PARA ZEISS VM 45° h = 8,5 / 10,5 mm
	RIEL WEAVER / PICATINNY ADAPTADOR PARA SCHMIDT-BENDER h = 9,5 mm		RIEL WEAVER / PICATINNY ADAPTADOR PARA 70° h = 8,5/10,5/13,5 mm

PARTES

	RIEL WEAVER / PICATINNY ADAPTADOR PARA SWAROVSKI SR (CON MARIPOSAS) h = 9,5 mm		RIEL WEAVER / PICATINNY ADAPTADOR PARA ZEISS VM 45° (CON MARIPOSAS) h = 8,5 / 10,5 mm
	RIEL WEAVER / PICATINNY ADAPTADOR PARA SCHMIDT- BENDER (CON MARIPOSAS) h = 9,5 mm		RIEL WEAVER / PICATINNY ADAPTADOR PARA 70° (CON MARIPOSAS) h = 8,5/10,5/13,5 mm
AIMPOINT MONTURA VISTA REFLEX			
	AIMPOINT TIKKA T3 h = 6 mm		MONTURA RIEL 11-12 MM h = 6 mm
	MONTURA RIEL 15 MM h = 6 mm		MONTURA BASE QR h = 4 mm
	AIMPOINT CZ 550 h = 6 mm		

BLASER / CZ / TIKKA / SAUER 303 / SAUER 404 / QUICK RELEASE PARA RIELES PICATINNY

CARRIL ADAPTADOR PULSAR



BLASER / CZ / TIKKA / SAUER 303 / SAUER 404 / QUICK RELEASE PARA RIELES PICATINNY

MONTURA CLICK ON

